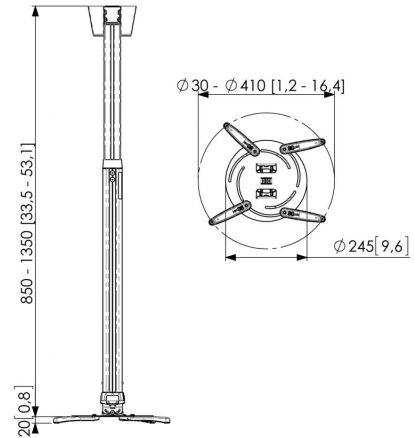




PPC 2585 Projector ceiling mount

The PPC 2585 is a height adjustable projector mount specially designed for the latest generation of projectors weighing up to 25 kg. This projector interface is equipped with fine tune adjustability for precise alignment to the projection surface. Once aligned, the projector stays in position. Turning the unique friction ring will eliminate all play from the interface connections, making the mount a solid and very stable solution.

Turn	360
Tilt	15
Main Color	Silver
Guarantee	5 years
Max. distance to ceiling (mm)	1350
Adjustable height	Yes



PPC 2585 Projector ceiling mount

The height adjustable projector ceiling mount kits can be used when the height of the ceiling is not known or when flexibility is wanted. These mounts come in 3 lengths offering variable height adjustment from 400 to 1350 mm. The CIS® Cable Inlay System runs the full length of the pole and even allows for cable routing after installation. The CIS® offers sufficient space for all cables required and enables you to hide all the cables in a matter of seconds.

Features

- Ceiling plate suitable for inclined and flat ceilings
- Adjustable height
- Cover included for false ceilings
- Easy levelling and installation
- Easy mounting
- Fine tune adjustability

Logistic information

EAN Code Product	8712285325281
Net weight including packaging (kg)	5.5
Single Box Width (mm)	258
Single Box Length (mm)	858
Single Box Height (mm)	136